
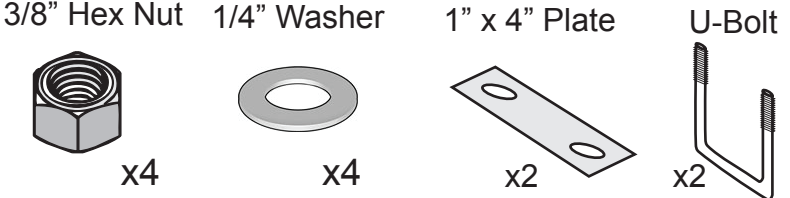
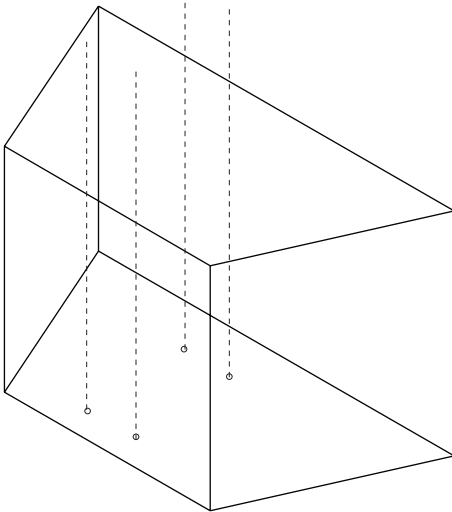
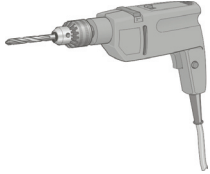
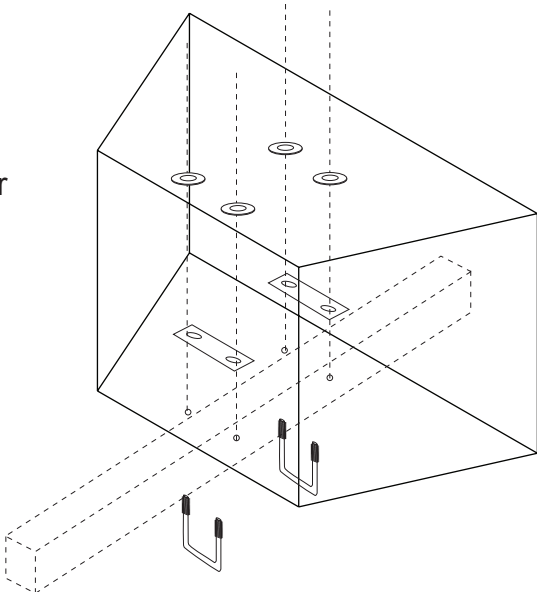

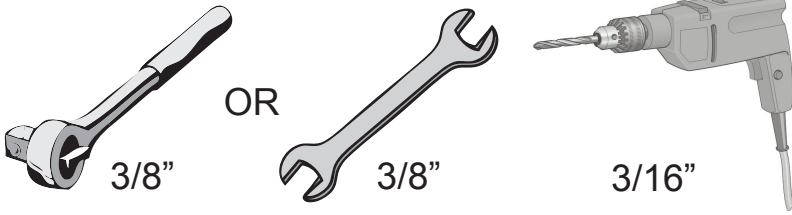


Single Tongue Mount Installation Instructions

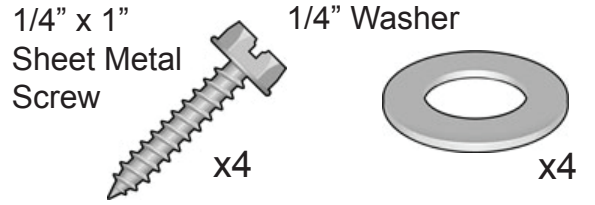
TOOLS REQUIRED	PARTS
 <p>3/8" OR 3/8" 3/16"</p>	 <p>3/8" Hex Nut x4 1/4" Washer x4 1" x 4" Plate x2 U-Bolt x2</p>
<h2>STEP 1</h2> <p>Set the tongue box on your trailer where you want it positioned. Using your drill with a 3/16" bit, drill four holes through the bottom of the tongue box.</p> <p>*NOTE: Hole placements will vary based on your particular application. Hole placements shown in image are approximations. Actual hole placement should be determined based on your individual trailer.</p> 	
<h2>STEP 2</h2> <p>Install the U-Bolts through the bottom of box. Using either your 3/8" open ended wrench OR your socket wrench with a 3/8" socket, secure the tongue box to the trailer with the included 1"x4" plate, 1/4" washer and 3/8" Hex Nuts.</p> 	

"A" Frame Tongue Optional Installation Instructions

TOOLS REQUIRED



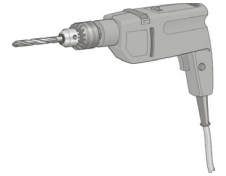
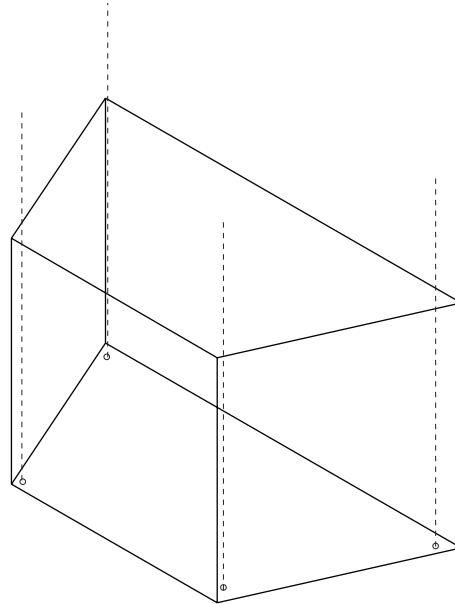
PARTS



STEP 1

Set the tongue box on your trailer where you want it positioned. Using your drill with a 3/16" bit, drill four holes through the bottom of the tongue box AND the trailer tongue.

*NOTE: Hole placements will vary based on your particular application. Hole placements shown in image are approximations. Actual hole placement should be determined based on your individual trailer.



STEP 2

Using either your 3/8" open ended wrench OR you socket wrench with a 3/8" socket, install the Sheet metal screws into the holes and tighten to secure the tongue box to the trailer.

